



BAF1-2RN-LH



**Enclosed Switches Series BAF/DTF:
Top Plunger Actuator; 1NC 1NO SPDT
Snap Action; Actuator Position - Left**

Actual product appearance may vary.

Features

- Up to 20 ampere capacity
- Cast aluminum housing with three-hole mounting
- Right or left-handed (sealed or unsealed) actuators
- Cover seal, captive cover screws
- Momentary or maintained contact
- UL recognized, file #E12252
- CSA certified, file #LR41372
- Sealed to NEMA 1, 3, 4 and 13 requirements
- Grounding screw

Potential Applications

- Packaging equipment
- Special machinery
- Agricultural machinery
- Conveyors
- Overhead cranes and hoists

Description

The elastomer boot on sealed actuator versions protects the actuating mechanism and the internal basic switch from contaminants. There is a seal gasket between the cover plate and the enclosures on all versions. The cover plate is removed for ease of wiring and switch replacement without demounting the switch. The actuator position is designated "right" or "left," when looking at the nameplate.

Product Specifications	
Availability	Global
Operating Force (O.F.)	11,2 N max. [2.5 lbs max.]
Release Force (R.F.)	2,22 N min. [0.50 lbs min.]
Pretravel (P.T.)	2,39 mm max. [.094 in max.]
Overtravel (O.T.)	5,56 mm min. [0.219 in min.]
Differential Travel (D.T.)	0,26 mm max. [.010 in max.]
Product Type	Enclosed Switches
Actuator	Top Plunger
Circuitry	1NC 1NO SPDT Snap Action
Ampere Rating	20 A Ind./0.5 A Res./0.25 A Res.

Supply Voltage	125 Vac, 250 Vac, 480 Vac/125 Vdc/250 Vdc
Housing Material	Aluminum Die-Cast
Termination Type	0.5 in - 14NPT conduit
Series Name	BAF/DTF
Sealing	NEMA 1, 3, 4, and 13
Approvals	UL recognized, CSA certified
CSA File #	LR41372
UL File #	E12252
Operating Temperature Range	-32 °C to 71 °C [-25 °F to 160 °F]
Comment	With seal boot on plunger; Left-hand actuator position
UNSPSC Code	302119
UNSPSC Commodity	302119 Switches and controls and relays
Sealed	Industrial
Operating Position (O.P.)	53,19 mm [2.094 in]

MICRO SWITCH
a Honeywell Division

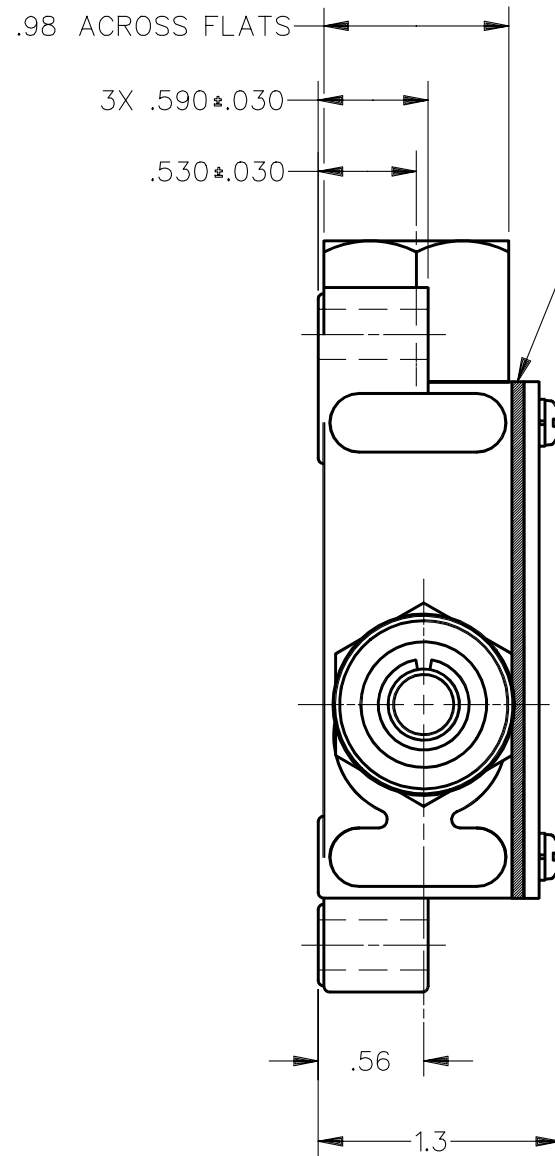
SWITCH - ENCLOSED

CATALOG LISTING
BAF1-2RN-LH

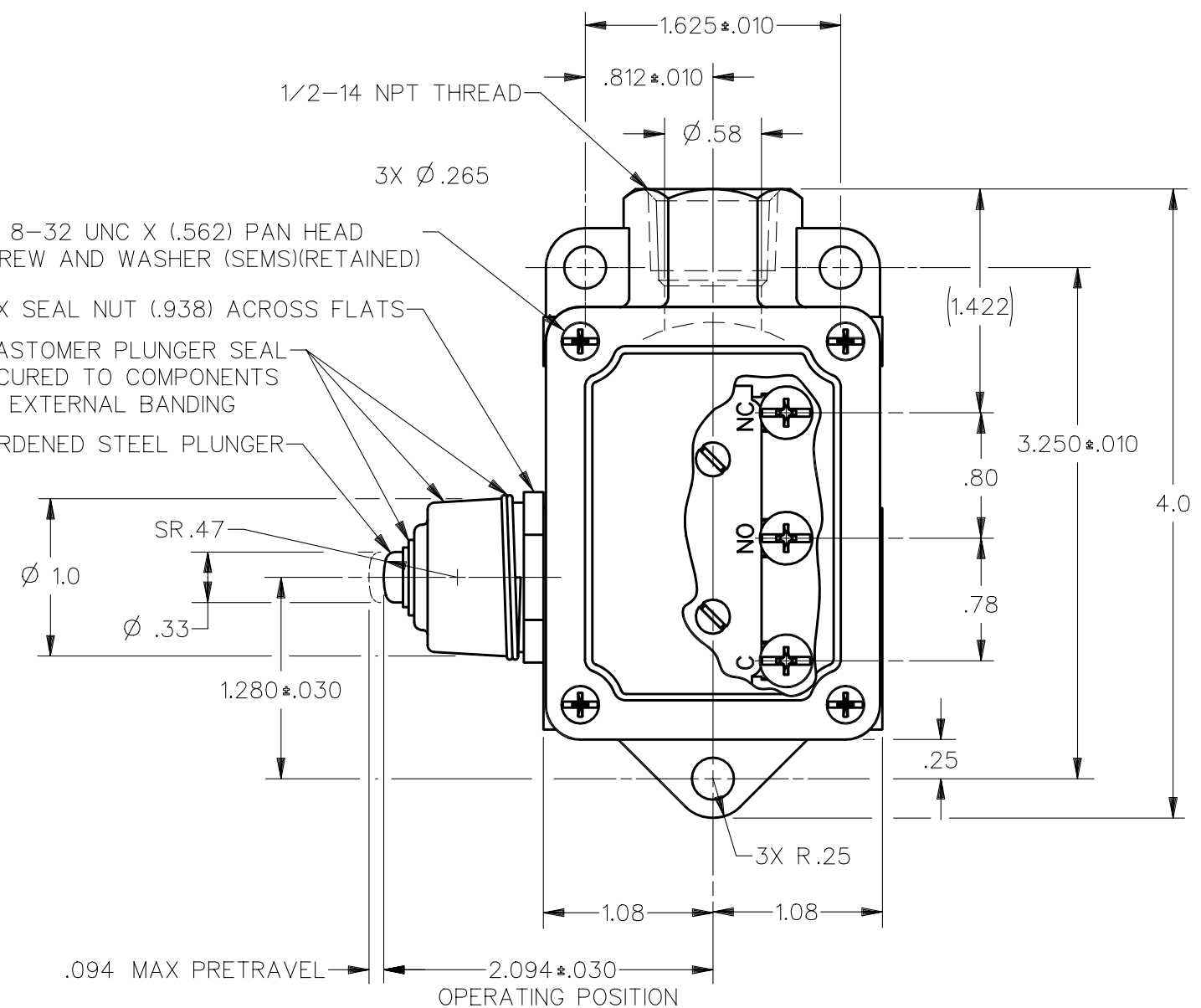
(LEFT HAND)

FED. MFG. CODE 91929

DDM/CAD
 DRAWN
 MAM 16OCT92
 CHECK
 WLS 23OCT92
 CHECK
 REVISIONS
 C C073287M
 J A F
 8 MAY 95
 K D R
 21 FEB 94
 B 77179B
 CO
 16 OCT 92
 MAM
 16 OCT 92
 ISSUE
20
 M
 BAF1-2RN-LH
 PAGE 1 OF 1
 CATALOG LISTING
 (LEFT HAND)
 REPLACES
 RELEASE NO.



4X 8-32 UNC X (.562) PAN HEAD
 SCREW AND WASHER (SEMS)(RETAINED)
 HEX SEAL NUT (.938) ACROSS FLATS
 ELASTOMER PLUNGER SEAL
 SECURED TO COMPONENTS
 BY EXTERNAL BANDING
 HARDENED STEEL PLUNGER



THIS DRAWING COVERS A PROPRIETARY ITEM AND IS THE PROPERTY OF MICRO SWITCH, A DIVISION OF HONEYWELL. THIS DRAWING IS NOT TO BE COPIED OR USED WITHOUT THE APPROVAL OF MICRO SWITCH

THIRD ANGLE PROJECTION

CHARACTERISTICS
OPERATING FORCE ---- 2 1/2 LBS MAX
RELEASE FORCE ---- 1/2 LB MIN
DIFFERENTIAL TRAVEL ---- .010 MAX
OVERTRAVEL ---- .219 MIN
BASIC SWITCH REPLACEMENT ----
----- BA-2R708-P7

ELECTRICAL DATA
CONTACT ARRANGEMENT S P D T
L23 20A 125, <u>250</u> OR 480 VAC 10A 125 VAC "L"
1HP 125 VAC, 2HP <u>250</u> VAC 1/2A 125 VDC, 1/4A 250 VDC

SCALE	FULL
DO NOT SCALE PRINT	
UNLESS OTHERWISE SPECIFIED TOLERANCES ARE	
ONE PLACE	(.0) ±.030
TWO PLACE	(.00) ±.015
THREE PLACE	(.000) ±.005
ANGLES	±
WEIGHT	.500 LB

NOTE
1 - 8-32 UNC X (.219) BINDER HEAD COMBINATION, TERMINAL SCREWS AND CUPWASHERS



ANSI Y14.5M-1982 APPLIES